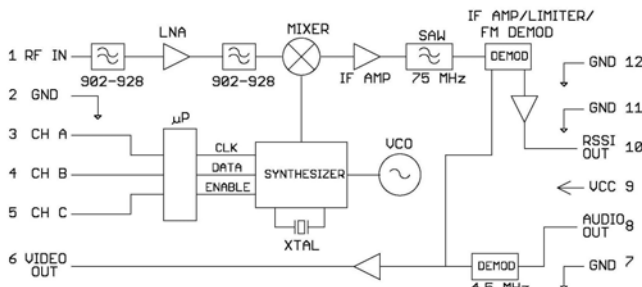


**902 to 928 MHz
3-Channel
FM Audio/Video Receiver and High Speed Data
Module**

Complies with FCC Part 15 requirements for unlicensed use. The R900AV-3 provides excellent B/W and color video quality as well as audio. The channels are spaced to allow multiple channel operation in an area. The module is packaged in an RFI/EMI shielded enclosure. Use with T900AV-3 transmitter module.

Block Diagram

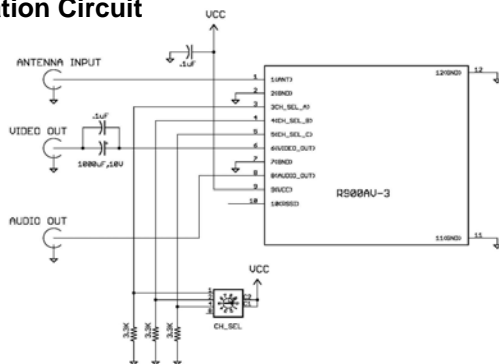


Features

- 3-Channel Selection
- 75 Ohm NTSC Output
- Crystal Reference
- Up to 2000 Ft¹ Range
- No RF Design Required
- IF SAW filter For Excellent Selectivity
- 4.5 MHz FM Audio Subcarrier Demodulator
- Line Level Audio Output

Frequency (MHz)	Matching Transmitter Module
907 / 915 / 923	T900AV-3A (1mW) T900AV-3B (90mW)

Application Circuit



Channel Select Table

Ch Select (pinout)	C (pin 5)	B (pin 4)	A (pin 3)
Chan. 1 (907MHz)	0	0	Vcc
Chan. 2 (915MHz)	0	Vcc	0
Chan. 3 (923MHz)	0	Vcc	Vcc

Any conditions other than the above for A, B and C will result in the 907 MHz condition.

¹ Unobstructed line of sight, when used with T900AV-3B and quarterwave antenna with ground plane. Up to 750 ft. range when used with T900AV-3A.

Specifications subject to change without notice or obligation.

