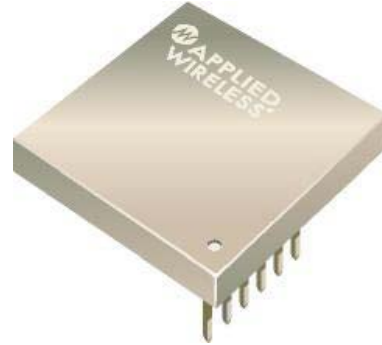


**516 to 556 MHz
6-Channel
FM Video Transmitter Module**

Designed for long-range (up to 2000 ft*). T500V-6 has output power of 20 dBm and *may only be used for law enforcement or military applications.*

The T500V-6 provides excellent B/W and color video quality. No tuning or external components are required. The channels are spaced 8 MHz apart to allow multiple channel operation in an area. The module is packaged in an RFI/EMI shielded enclosure. Use with R500V-6 receiver module.



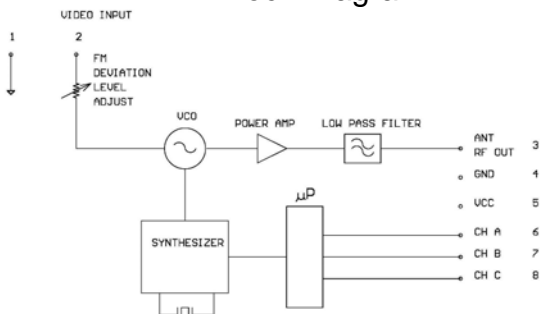
Features

- 6-Channel Selection
- +19 dBm Output Power
- 75 Ohm NTSC Input
- Crystal Reference
- Shielded Enclosure
- No RF Design Required

Typical Applications

- Wireless Video Transmission
- Security

Block Diagram



Related Products

Model	Output Power (typ)	Matching Receiver Module	Transmitter Evaluation Board**	Matching Receiver Evaluation Board**
T500V-6	100mW	R500V-6	EVT500V-6	EVR500V-6

*Line of sight, when used with R500V-6 and quarterwave antenna with ground plane.

** Includes RF module.

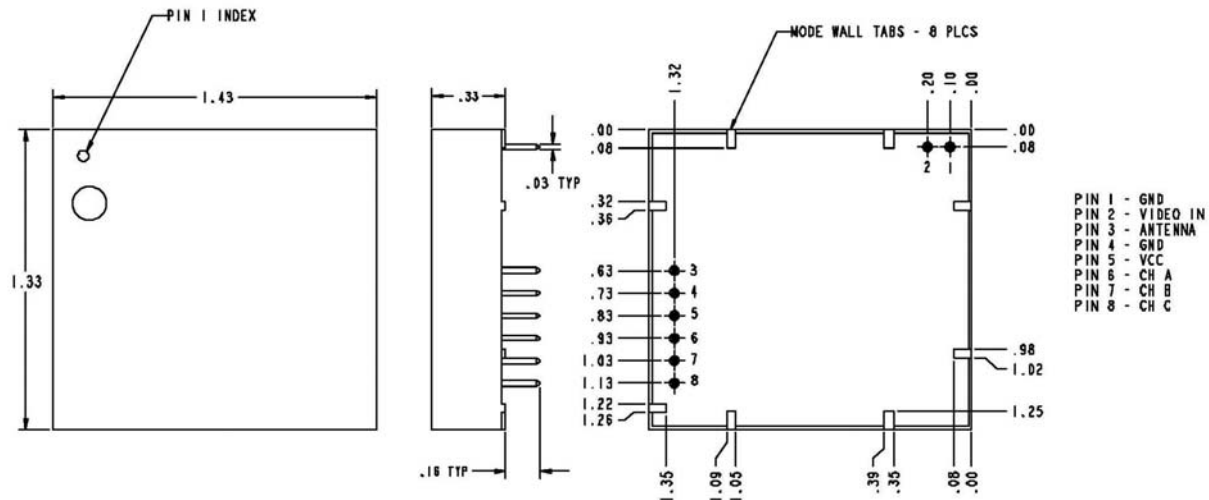
Electrical Characteristics

Sym	Parameter	Min	Typ	Max	Unit
VCC	Operating Voltage Range	4.75	5.0	5.3	Volts
I _{cc}	Operating Current		110		mA
P _{out}	Output Power	18	19		dBm
	Video Frequency Response	.5 Hz		5 MHz	
SNR	Signal to Noise Ratio		60		dB
	FM Deviation @ 1V P-P Input		± 3		MHz
	Frequency Stability (crystal reference)		±50		ppm
	Modulation, FM Positive				
Z _{in}	Video Input Impedance		75		
DG	Differential gain Error			3% p-p	
DP	Differential Phase Error			3% p-p	
Z _{out}	Antenna Output Impedance		50		Ohms
	Harmonic Suppression		-45		dBc
T _{op}	Operating Temperature	-20		+60	C
	Start Up Time		3		Secs

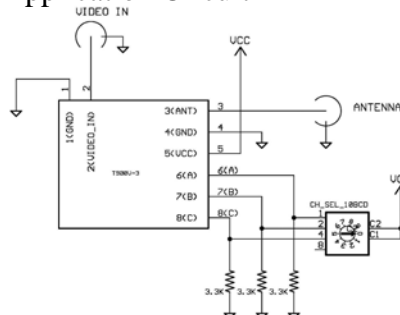
Maximum Ratings

Sym	Parameter	Value	Unit
VCC	DC Supply Voltage	-0.5 to +7.0	Volts
	Channel Select	-0.5 to VCC	Volts
T _{stg}	Storage Temperature	-50 to +150	C

Package Dimensions



Application Circuit



Channel Select Table

Ch Select (pinout)	C (8)	B (7)	A (6)
516	0	0	Vcc
524	0	Vcc	0
532	0	Vcc	Vcc
540	Vcc	0	0
548	Vcc	0	Vcc
556	Vcc	Vcc	0

Specifications subject to change without notice or obligation.